

## Controller

# DIGR-1202/E

Data sheet  
Revision 1.10.2022

### Technical data:

Rated supply voltage Unap	110-230 V, 50/60 Hz
Maximum load power	1400 VA for Unap 230 V 700 VA for Unap 110 V
Intrinsic power dissipation	10 W
Output voltage	5-100 % Unap with 0,5 % steps
Output frequency	100, 50, 33 Hz for 50 Hz net 120, 60, 40 Hz for 60 Hz net
2× digital input	24 V DC PNP
2× digital output	24 V DC max. 120 mA
1× analogue/digital input	0-10 V DC / 24 V DC PNP
Auxiliary output voltage (SELV)	24 V DC max. 180 mA 10 V DC max. 10 mA
Interference suppression	class A (ČSN EN 55011 ed. 4)
Protection	IP54
Weight	1,2 kg



### Description

The DIGR 1202/E controller is a triac based controller designed to control vibratory feeders driven by an electromagnetic coil. The basic regulation variable is the output voltage, which can be set in the range of 5–100%. The frequency can be set in steps to a fixed value of 100 Hz, 50 Hz or 33 Hz, or 120 Hz, 60 Hz or 40 Hz.

The operation of the controller is defined by parameters that are set by the user from the control panel with text display. The controller can be controlled from the control panel or by external analogue and digital signals.

The controller includes a safely isolated 24 VDC / 4 W SELV supply for powering peripheral devices such as sensors and air valves, and an auxiliary 10 VDC supply for powering the analogue input.

In addition to controlling the vibration intensity, the controller can also handle many logic functions.

fig. 1 - connection of the external parts of the controller

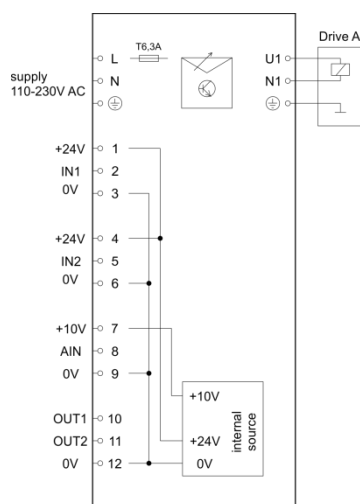


fig. 2 - basic dimensions

